

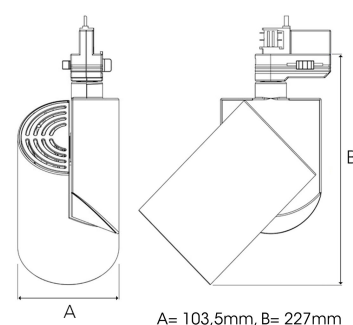
ZYLINDER 4000, 930 (BBL), SPOT, GREY

ITAB

- ✓ Pure and minimalistic/clean design
- ✓ Four different beam angles for the light distribution
- ✓ Incorporated electronic control gear
- ✓ Highly efficient 'chip on board' LED light source
- ✓ Available in white, black and grey

TECHNICAL SPECIFICATION

Product Code	288-510-30
Colour	Grey
Control	On/off
CRI light colour	930 (BBL)
Delivered lumen output lm	3850
Driver	Built in
EEL	A++
Light distribution	Spot
Lightsource	LED COB
Mains input voltage	220-240 V
Measurements A	103,5
Measurements B	227
Mounting	Track
Position	360°/90°
Lifetime	L80 B10, 50.000h
Protection	IP 20, class I
Start Time	Instant
System power W	35
Unit	mm
Weight	0,91



Spot	Medium	Flood	Wide Flood
14°	27°	38°	56°
m	m	m	m
1.0	0.25	0.48	1.07
2.0	0.49	0.95	2.14
3.0	0.74	1.43	3.22