

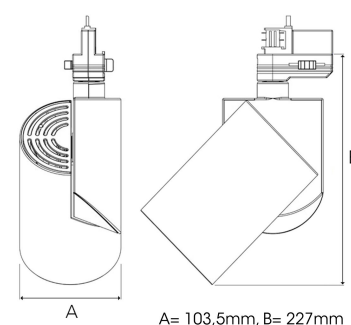
ZYLINDER 3000, 930 (BBL), SPOT, WHITE

ITAB

- ✓ Pure and minimalistic/clean design
- ✓ Four different beam angles for the light distribution
- ✓ Incorporated electronic control gear
- ✓ Highly efficient 'chip on board' LED light source
- ✓ Available in white, black and grey

TECHNICAL SPECIFICATION

Product Code	288-500-10
Colour	White
Control	On/off
CRI light colour	930 (BBL)
Delivered lumen output lm	2800
Driver	Built in
EEI	A++
Light distribution	Spot
Lightsource	LED COB
Mains input voltage	220-240 V
Measurements A	103,5
Measurements B	227
Mounting	Track
Position	360°/90°
Lifetime	L80 B10, 50.000h
Protection	IP 20, class I
Start Time	Instant
System power W	24
Unit	mm
Weight	0,91



Spot	Medium	Flood	Wide Flood
14°	27°	38°	56°
m	ø	m	ø
1.0	0.25	1.0	0.48
2.0	0.49	2.0	0.95
3.0	0.74	3.0	1.43
1.0	0.69	1.0	1.07
2.0	1.39	2.0	2.14
3.0	2.08	3.0	3.22