

ZEN EVO 1500, 930 (BBBL), FLOOD, WHITE

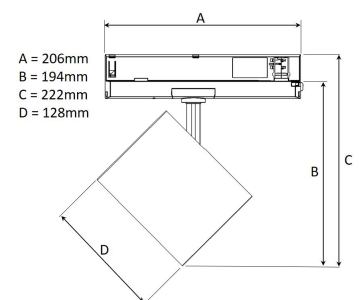
ITAB

- ✓ Very minimalistic/clean design
- ✓ High lumen output, perfect for the grocery and DIY retail sectors
- ✓ Highly efficient chip on board LED light source and segmented reflector for maximum efficacy
- ✓ Integrated, highly efficient electronic control gear in the track adapter
- ✓ Available in white, black and grey.



TECHNICAL SPECIFICATION

Product Code	369-01041530013
Colour	White
Control	On/off
CRI light colour	930 (BBBL)
Delivered lumen output lm	1300
Driver	Built in
EEL	A++
Light distribution	Flood
Lightsource	LED COB
Measurements A	206
Measurements B	194
Measurements C	222
Measurements D	128
Mounting	Track
Position	360°/90°
Lifetime	L80 B10, 50.000h
Protection	IP 20, class II
Start Time	Instant
System power W	9,2
Unit	mm
Weight	0,49



Spot	Medium	Flood	Wide Flood
16°	29°	40°	60°
m	o	m	o
1.0	0.31	0.52	0.76
2.0	0.62	1.05	1.52
3.0	0.93	1.57	2.28
			3.0
			3.48