

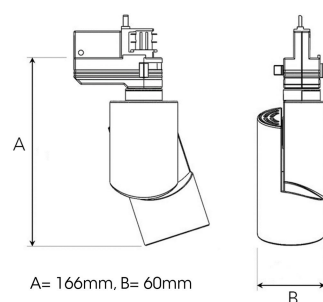
ZYLINDER MICRO 1200, 930 (BBBL), FLOOD, BLACK

ITAB

- ✓ Pure and minimalistic/clean design in a small size
- ✓ Four different beam angles for the light distribution
- ✓ Incorporated electronic control gear
- ✓ Highly efficient 'chip on board' LED light source
- ✓ Available in white, black and grey

TECHNICAL SPECIFICATION

Product Code	305-502-20
Colour	Black
Control	On/off
CRI light colour	930 (BBBL)
Delivered lumen output lm	1150
Driver	Built in
EEL	E
Light distribution	Flood
Lightsource	LED COB
Mains input voltage	220-240 V
Measurements A	166
Measurements B	60
Mounting	Track
Position	360°/90°
Lifetime	L80 B10, 50.000h
Protection	IP 20, class I
Start Time	Instant
System power W	15
Unit	mm
Weight	0.4



Spot	Medium	Flood	Wide Flood
15°	27°	36°	56°
m	ø	m	ø
1.0	0.26	1.0	0.65
2.0	0.53	2.0	1.30
3.0	0.79	3.0	1.95
			1.06
			2.12
			3.18