

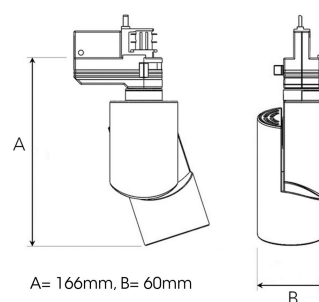
ZYLINDER MICRO 1200, 930 (BBBL), FLOOD, WHITE

ITAB

- ✓ Klares und minimalistisches/sauberes Design in kleiner Größe
- ✓ Vier verschiedene Abstrahlwinkel für die Lichtverteilung
- ✓ Eingebautes elektronisches Vorschaltgerät
- ✓ Hocheffiziente „Chip on Board“-LED-Lichtquelle
- ✓ Erhältlich in Weiß, Schwarz und Grau

TECHNICAL SPECIFICATION

| | |
|---------------------------|------------------|
| Product Code | 305-502-10 |
| Colour | White |
| Control | On/off |
| CRI light colour | 930 (BBBL) |
| Delivered lumen output lm | 1150 |
| Driver | Built in |
| EEL | E |
| Light distribution | Flood |
| Lightsource | LED COB |
| Mains input voltage | 220-240 V |
| Measurements A | 166 |
| Measurements B | 60 |
| Mounting | Track |
| Position | 360°/90° |
| Lifetime | L80 B10, 50.000h |
| Protection | IP 20, class I |
| Start Time | Instant |
| System power W | 15 |
| Unit | mm |
| Weight | 0.4 |



| Spot | Medium | Flood | Wide Flood |
|------|--------|-------|------------|
| 15° | 27° | 36° | 56° |
| m | m | m | m |
| ø | ø | ø | ø |
| 1.0 | 0.26 | 0.47 | 1.06 |
| 2.0 | 0.53 | 0.95 | 2.12 |
| 3.0 | 0.79 | 1.42 | 3.18 |