

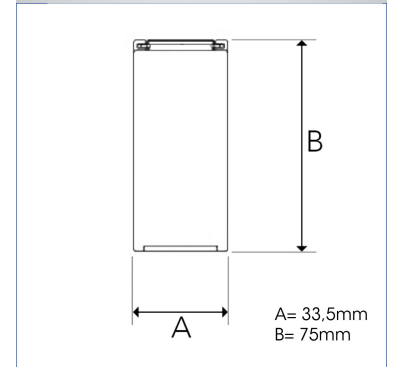
LINK 934MM, 830, BLACK

ITAB

- ✓ Schlankes und ästhetisches Design
- ✓ Erhältlich in verschiedenen Längen
- ✓ Hänge- oder Aufbaumontage oder Montage auf Stromschiene

TECHNICAL SPECIFICATION

Product Code	307-535-20
Colour	Black
Control	On/off
CRI light colour	830
Delivered lumen output lm	1800
Driver	Built in
EEL	A+
Light distribution	Flood
Lightsource	LED Linear
Mains input voltage	220-240 V
Measurements A	33,5
Measurements B	75
Mounting	Linear
Position	Fixed
Lifetime	L80 B10, 50.000h
Protection	IP 20, class I
Start Time	Instant
System power W	16,3
Unit	mm
Weight	1,2



Link	98° / 85°
m	ø
1.0	2.32
2.0	4.63
3.0	6.95