

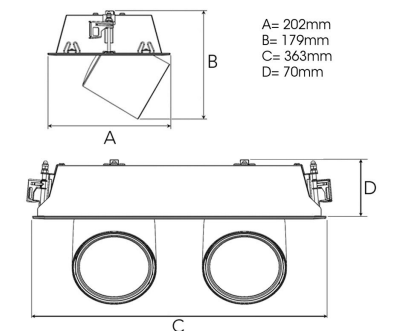
FLEX II 3000, 930 (BBL), MEDIUM, BLACK



- ✓ Modern, minimalistisch und sauber wirkende Decke
- ✓ Verfügbar in verschiedenen Lumenpaketen
- ✓ Werkzeuglose Montage
- ✓ Versenkbar und drehbar
- ✓ Erhältlich in Weiß, Schwarz und Grau

TECHNICAL SPECIFICATION

| | |
|---------------------------|-----------------------|
| Product Code | 306-541-20 |
| Colour | Black |
| Control | On/off |
| CRI light colour | 930 (BBL) |
| Delivered lumen output lm | 2 x 2800 |
| Driver | Stand alone, included |
| EEL | A++ |
| Light distribution | Medium |
| Lightsource | LED COB |
| Mains input voltage | 220-240 V |
| Measurements A | 202 |
| Measurements B | 179 |
| Measurements C | 363 |
| Measurements D | 70 |
| Mounting | Recessed |
| Position | 360°/60° |
| Lifetime | L80 B10, 50.000h |
| Protection | IP 20, class III |
| Sawing instructions x | 177 |
| Sawing instructions y | 352 |
| Start Time | Instant |
| System power W | 2 x 24,2 |
| Unit | mm |
| Weight | 1,9 |



| Spot | Medium | Flood | Wide Flood |
|------|--------|-------|------------|
| 14° | 27° | 36° | 56° |
| m | ø | m | ø |
| 1.0 | 0.25 | 1.0 | 0.48 |
| 2.0 | 0.49 | 2.0 | 0.95 |
| 3.0 | 0.74 | 3.0 | 1.43 |
| 1.0 | 0.69 | 1.0 | 1.07 |
| 2.0 | 1.39 | 2.0 | 2.14 |
| 3.0 | 2.08 | 3.0 | 3.22 |



177 x 352mm