

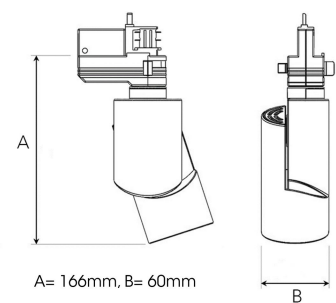
# ZYLINDER MICRO 1200, 930 (BBBL), SPOT, GREY

ITAB

- ✓ □ Puhdaslinjainen ja minimalistinen, selkeä muotoilu pienessä koossa
- ✓ □ Kolme eri säteilykulmaa valon jakautumiseen
- ✓ □ Sisäänrakennetut elektroniset liitännälaitteet
- ✓ □ Erittäin tehokas "chip on board"-LED-valonlähde
- ✓ □ Saatavilla valkoisena, mustana ja harmaana

## TECHNICAL SPECIFICATION

Product Code	305-500-30
Colour	Grey
Control	On/off
CRI light colour	930 (BBBL)
Delivered lumen output lm	1150
Driver	Built in
EEL	E
Light distribution	Spot
Lightsource	LED COB
Mains input voltage	220-240 V
Measurements A	166
Measurements B	60
Mounting	Track
Position	360°/90°
Lifetime	L80 B10, 50.000h
Protection	IP 20, class I
Start Time	Instant
System power W	15
Unit	mm
Weight	0.4



Spot	Medium	Flood	Wide Flood
15°	27°	36°	56°
m	m	m	m
1.0	1.0	1.0	1.0
2.0	2.0	2.0	2.0
3.0	3.0	3.0	3.0
0.26	0.47	0.65	1.06
0.53	0.95	1.30	2.12
0.79	1.42	1.95	3.18

**ITAB Lighting**  
Europe, Asia, Middle East  
Phone: +46 910 733 790  
info@nordiclight.se

**ITAB Lighting**  
North America  
Phone: +1 614 421 8419  
na@nordiclight.se

Please note that this product sheet is for a specific product and colour. The pictures may show examples of other available colours